



8 7 6 5 4 3 2 1

F

F

E

E

D

D

C

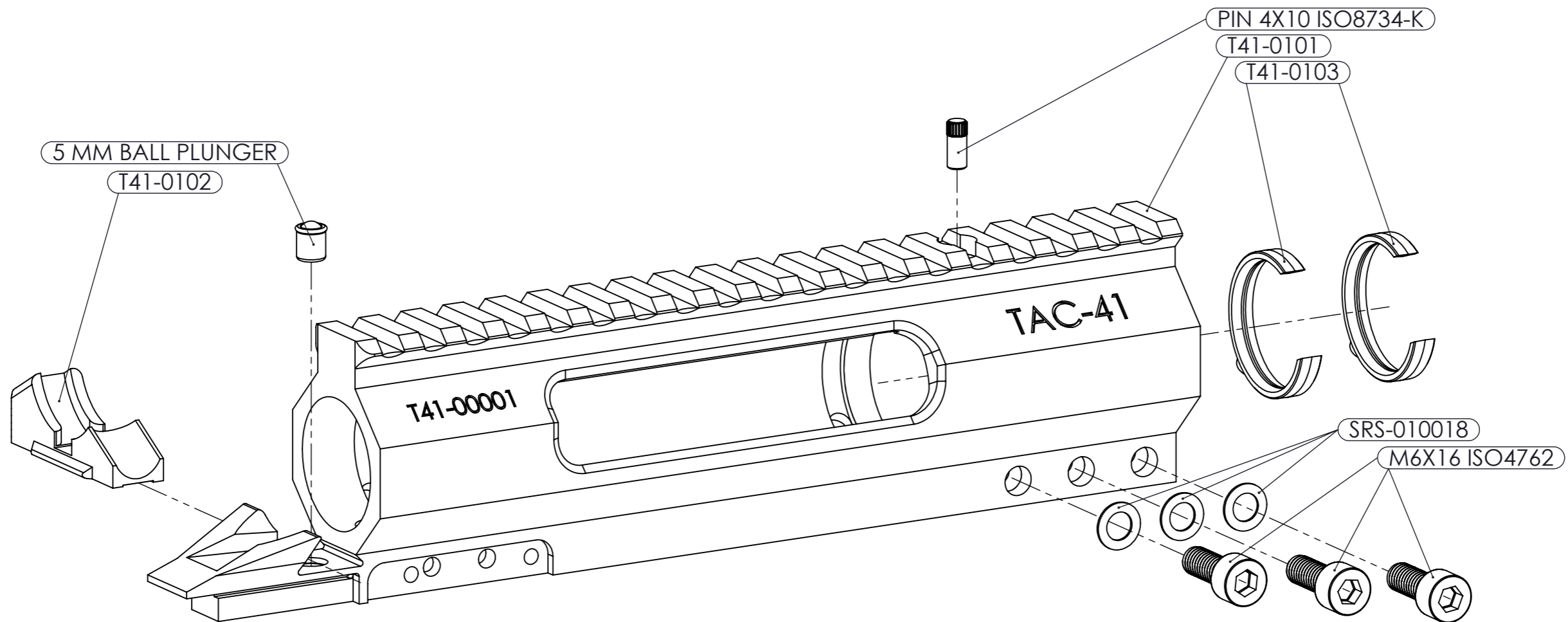
C

B

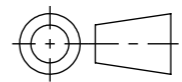
B

A

A



ASSEMBLY #: T41-0100-00  
 ASSEMBLY NAME: ALUMINIUM RECEIVER

DATE: 2023/10/23  


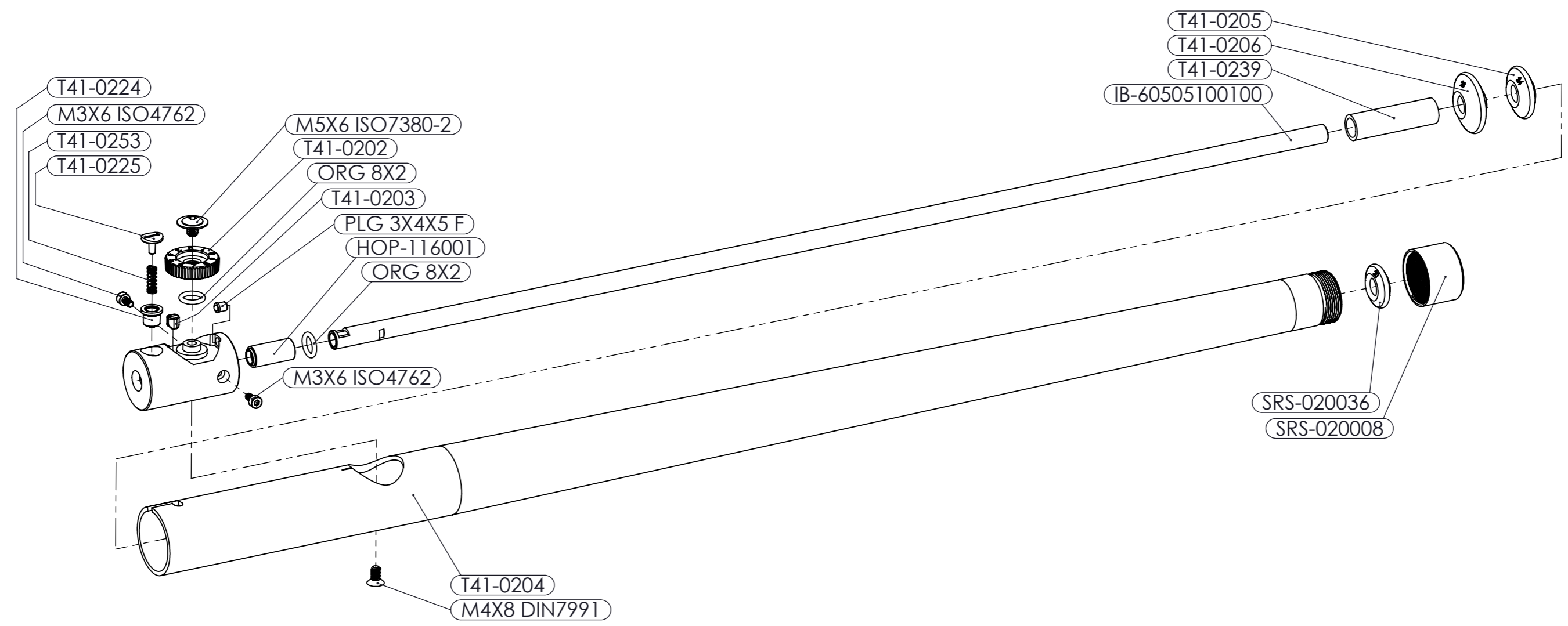
**SILVERBACK AIRSOFT**  
 SCALE:1:1 SHEET 2 OF 7 A3

8 7 6 5 4 3 2 1

8 7 6 5 4 3 2 1

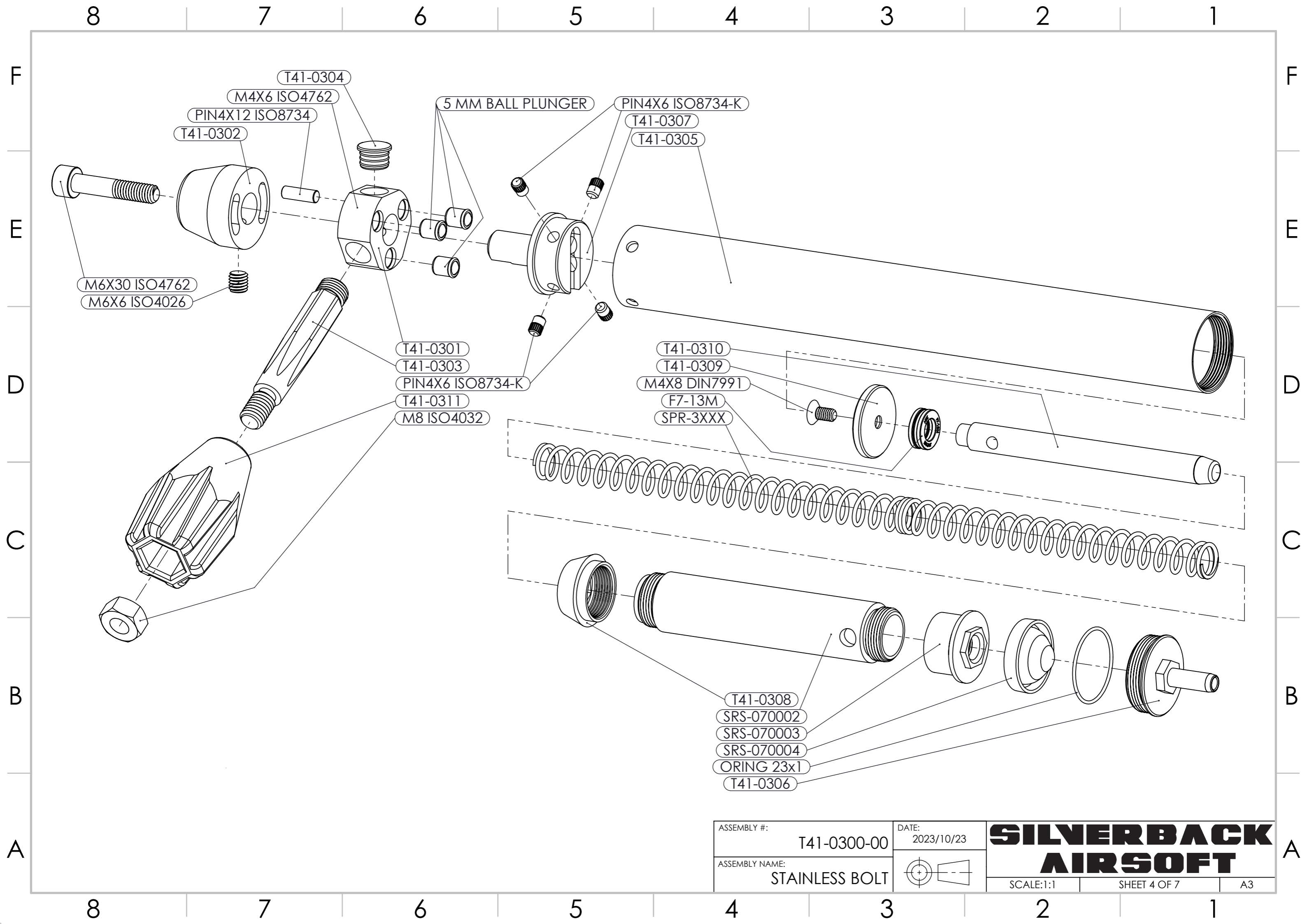
F  
E  
D  
C  
B  
A

F  
E  
D  
C  
B  
A



|                |               |           |              |                               |
|----------------|---------------|-----------|--------------|-------------------------------|
| ASSEMBLY #:    | T41-0200-02   | DATE:     | 2024/03/26   | <b>SILVERBACK<br/>AIRSOFT</b> |
| ASSEMBLY NAME: | 510 MM BARREL |           |              |                               |
|                |               | SCALE:1:2 | SHEET 3 OF 7 | A3                            |

8 7 6 5 4 3 2 1



|                |                |
|----------------|----------------|
| ASSEMBLY #:    | T41-0300-00    |
| ASSEMBLY NAME: | STAINLESS BOLT |

|       |            |
|-------|------------|
| DATE: | 2023/10/23 |
|       |            |

**SILVERBACK AIRSOFT**

SCALE:1:1      SHEET 4 OF 7      A3

8 7 6 5 4 3 2 1

F

F

E

E

D

D

C

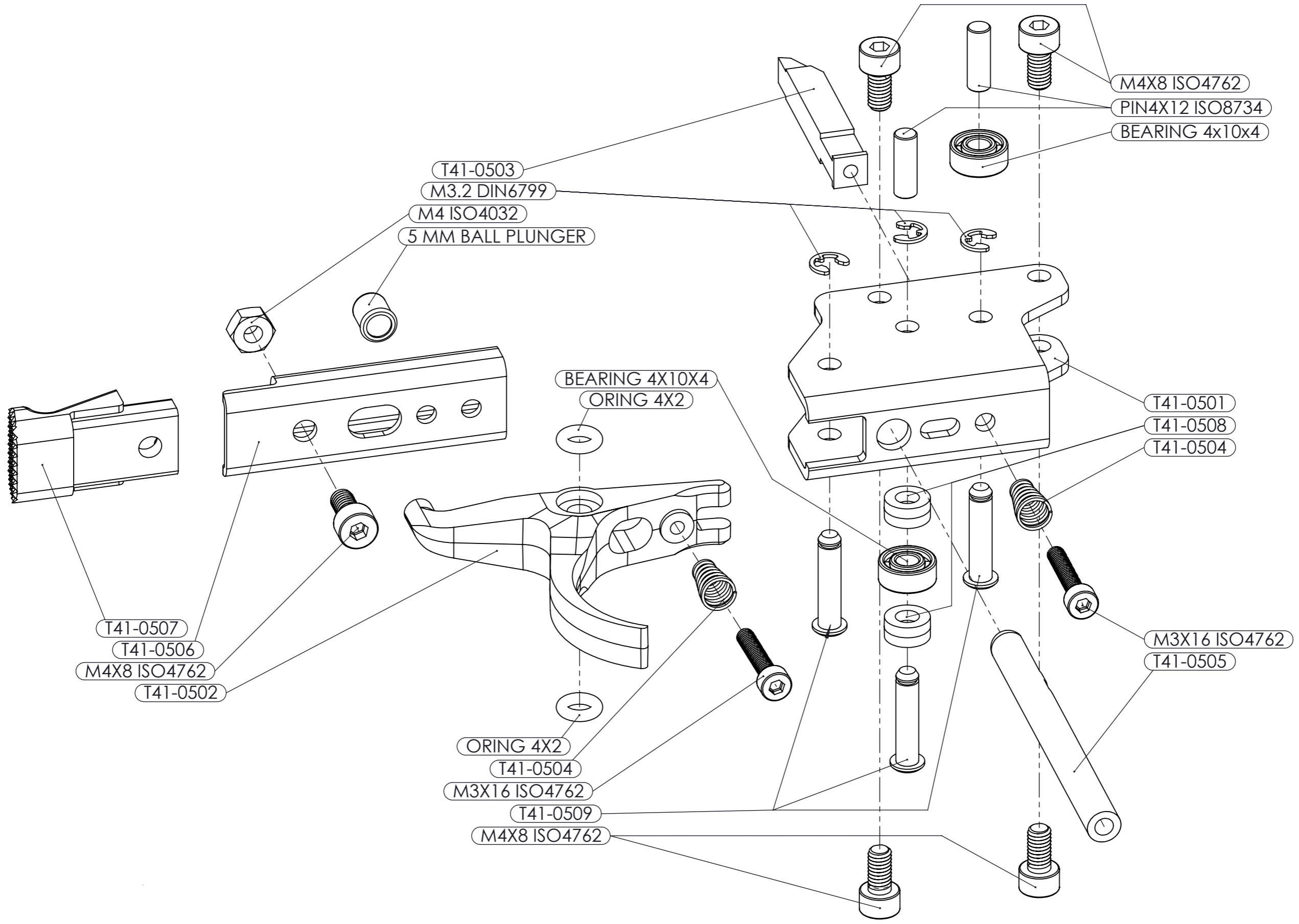
C

B

B

A

A



|                |             |       |            |                               |
|----------------|-------------|-------|------------|-------------------------------|
| ASSEMBLY #:    | T41-0500-00 | DATE: | 2023/10/06 | <b>SILVERBACK<br/>AIRSOFT</b> |
| ASSEMBLY NAME: | TRIGGER BOX |       |            |                               |
|                |             |       |            | SCALE:3:2                     |

8 7 6 5 4 3 2 1



8 7 6 5 4 3 2 1

F

F

E

E

D

D

C

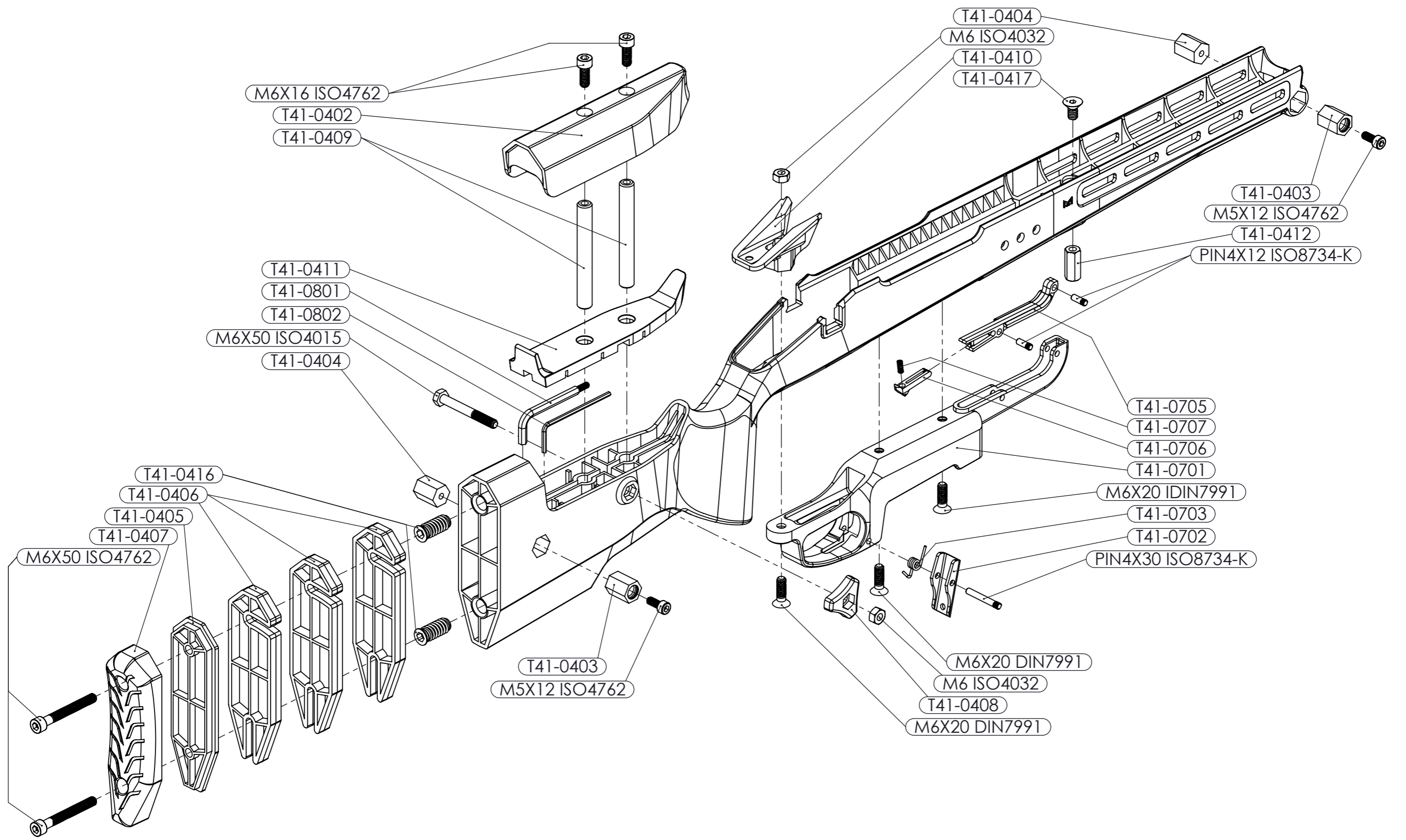
C

B

B

A

A



|                |               |       |            |                               |
|----------------|---------------|-------|------------|-------------------------------|
| ASSEMBLY #:    | T41-0400-04   | DATE: | 2024/03/26 | <b>SILVERBACK<br/>AIRSOFT</b> |
| ASSEMBLY NAME: | POLYMER STOCK |       |            |                               |
|                |               |       |            | SCALE:2:5                     |

8 7 6 5 4 3 2 1

8 7 6 5 4 3 2 1

F

F

E

E

D

D

C

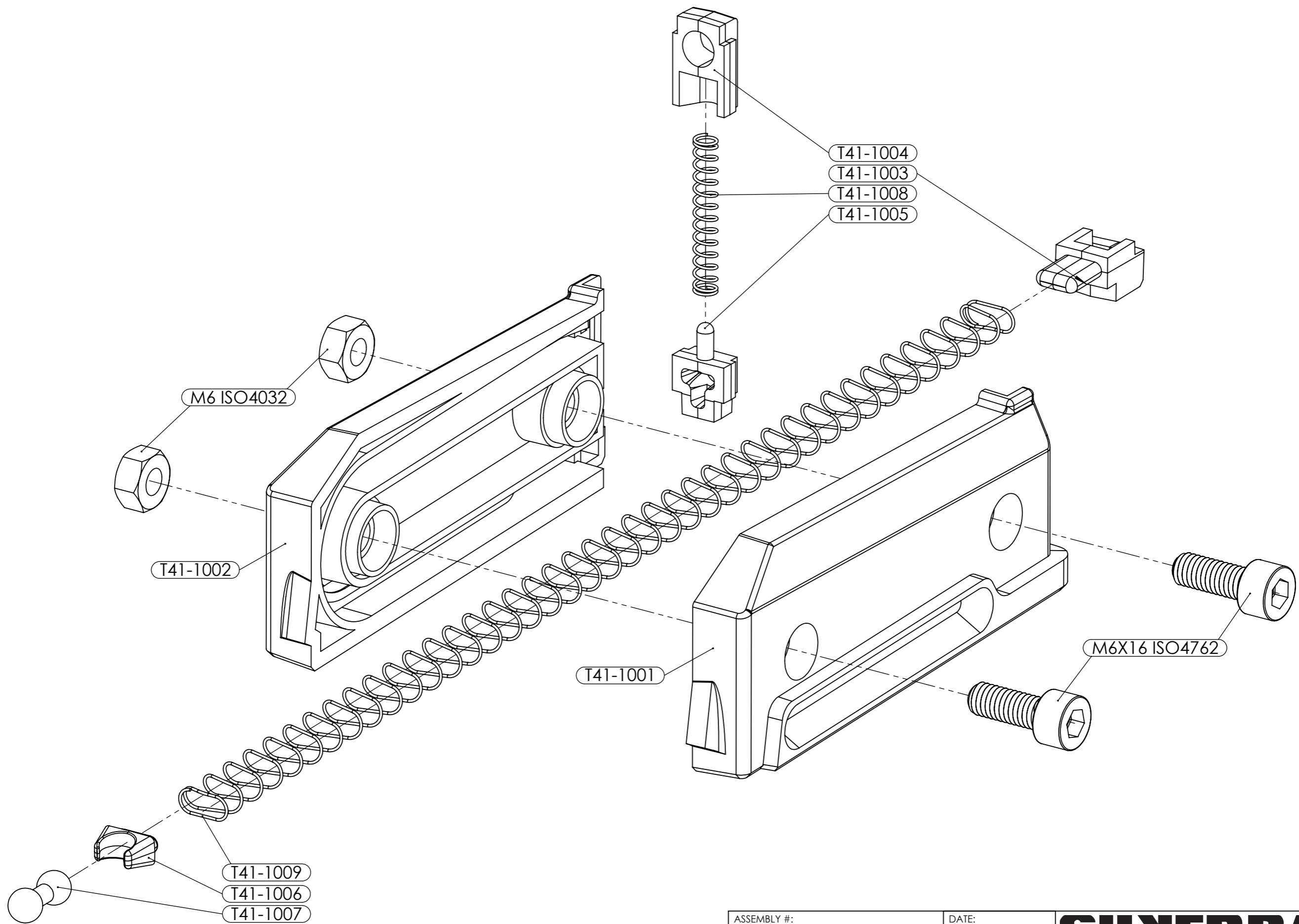
C

B

B

A

A



M6 ISO4032

T41-1002

T41-1001

M6X16 ISO4762

T41-1004

T41-1003

T41-1008

T41-1005

T41-1009

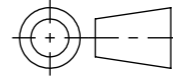
T41-1006

T41-1007

ASSEMBLY #: T41-1000-00

DATE: 2023/10/06

ASSEMBLY NAME: SHORT MAGAZINE



**SILVERBACK AIRSOFT**

SCALE:3:2

SHEET 7 OF 7

A3

8 7 6 5 4 3 2 1